

SLIMLINE

Code	10.1818.15.930.BR
Color	Brass
Input Wattage	15 W
Luminaire luminous flux	1200 Lm
Luminaire efficacy	80 lm/W
CCT	3000K
CRI	>90
Voltage (V)	48V
Warranty	5 Years
IP Grade	IP20

OPTICAL

Type	BRIDGELUX LED
Rotation angle	360°
Light beam angle	Diffuse
Light distribution	Symmetric

ELECTRICAL

Driver	Not included (must be placed on remote)
--------	-----------------------------------------

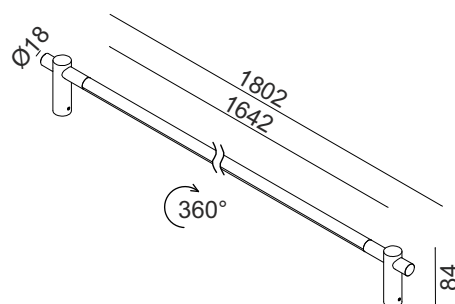
OTHER DATA

Mounting	Surface
Construction material	Aluminium / Polycarbonate
Operating Ambient Temp.	-20 to 40 °C
Weight	2 kg
Gross weight	3.263 kg

CERTIFICATIONS



DIMENSIONS



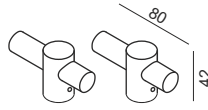
ACCESSORY



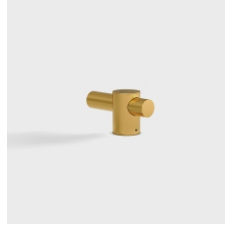
Surface mounted brackets

SLIMLINE ACCESSORY

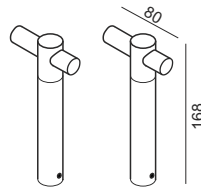
Model SURFACE MOUNTED BRACKETS
 Category Accessories



Code 10.A1804.BR *
 Color Brass
 Quantity 2 pcs



Model SURFACE MOUNTED BRACKETS
 Category Accessories



Code 10.A1816.BR *
 Color Brass
 Quantity 2 pcs



*Driver not included (must be placed on remote)