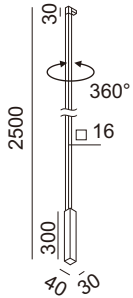


# ROD 10.2483.30.930

POWER: 30W LED  
INPUT: 220V/240V  
50/60Hz



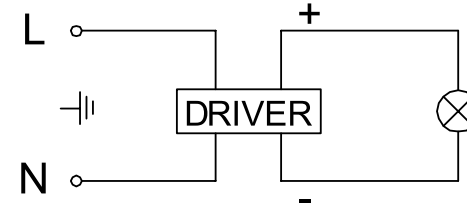
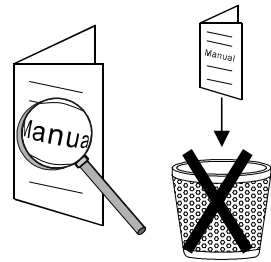
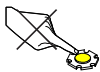
## SAFETY INSTRUCTIONS

- The appliance should be installed, connected and tested by qualified electrician, and in accordance with local regulations.
- Turn off the power supply before installation or maintenance of the appliance, and make sure that the cables will not be squeezed or damaged by sharp edges.
- The appliance should not be covered by insulation blankets or similar materials.
- Clean the appliance with a soft cloth and a standard PH neutral detergent. Stainless steel surfaces should be maintained regularly.
- Misuse of, or changes to the appliance shall nullify the guarantee. The manufacturer is free to change the design, specifications and instructions for assembly.

**⚠ DO NOT CONNECT THE APPLIANCE DIRECTLY TO HIGH-VOLTAGE POWER SUPPLY IF DRIVER IS NOT CONNECTED.**

USE THE CORRECT DRIVER TO CONNECT.

DO NOT TOUCH OR CLEAN THE LED ARRAY!  
IN ORDER TO AVOID DAMAGING THE LED CHIP!



## INSTALLATION INSTRUCTION

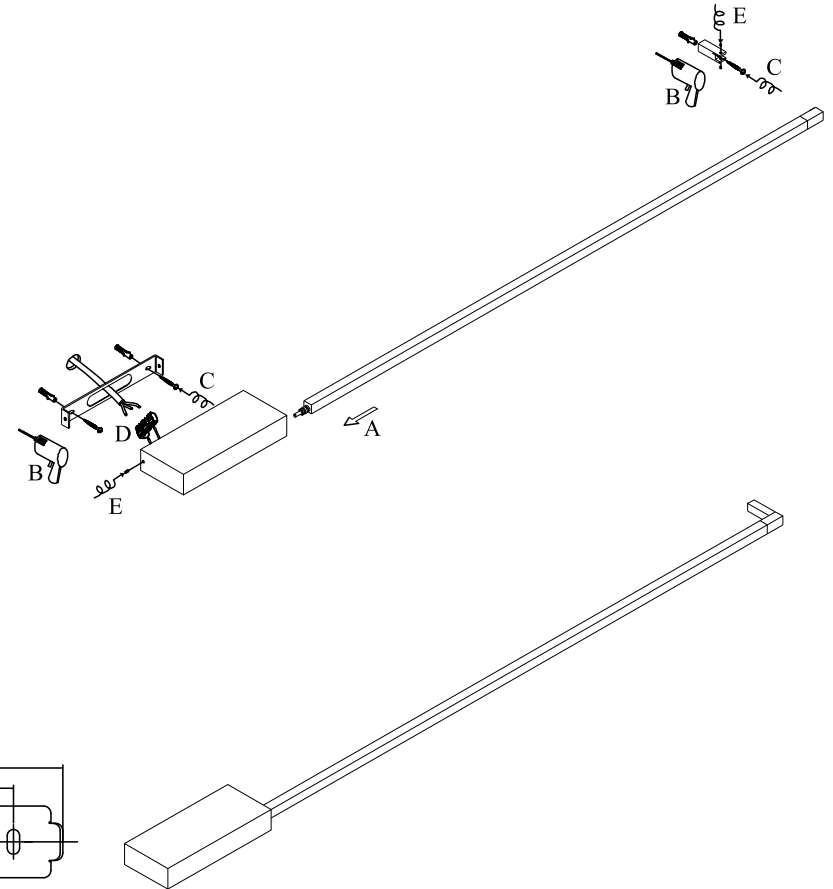
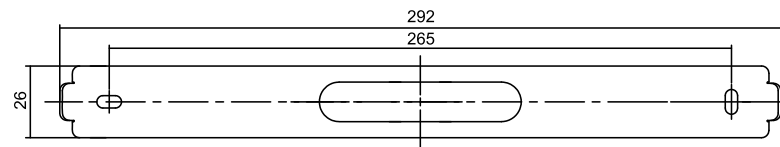
1. Before installing, make sure the power supply is switched off.
2. Follow the steps as the figure for installation.
  - A. fix the LED rod to the base.
  - B. after holing, pull out the wires.
  - C. fix the mounting bracket onto the wall with screws.
  - D. connect the wires to the terminal block.
  - E. fix the fixture to the mounting bracket with screws.
3. After finishing every step, tighten the screws, have the fixture fixed, and then connect the power supply.

## CLEANING INSTRUCTION

1. Before cleaning, ensure that the power supply is switched off.
2. Use only a soft cloth to clean the lamp, dampened with mild cleanser if needed for resistant dirt.
3. Warning: do not use alcohol or other solvents.

## CAUTION:

In case of any doubt, please contact the qualified electrician.



**LTX**  
LIGHTING SOLUTIONS  
LTX-LED.com

Lightonix sp. z o.o.  
Ul Hoza, 86 lok. 410  
00-682 Warszawa, Poland  
Telephone: +48 516 808 834  
E-mail: info@ltx-led.com