

POINTER SUSP

Code	10.1300.6.930.BK/CG
Color	Black / Champagne gold
Input Wattage	4 x 5.4 W
Luminaire luminous flux	4 x 137 Lm
Luminaire efficacy	25.37 lm/W
CCT	3000K
CRI	>90
Warranty	5 Years
IP Grade	IP20

OPTICAL

Type	LED
Swivel angle	355°
Light beam angle	20°
Light distribution	Symmetric

ELECTRICAL

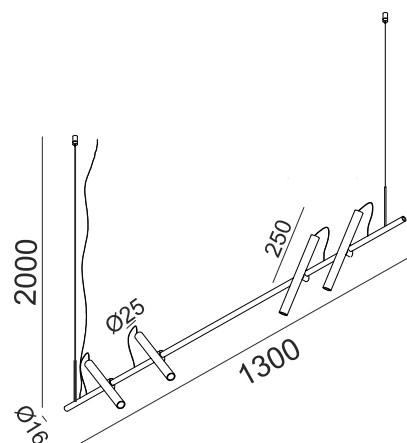
Driver	Not include
Power system	18 W
Output Current	700mA
Dimming	NO DIM

OTHER DATA

Mounting	Pendant
Construction material	Aluminium / Polycarbonate
Operating Ambient Temp.	-20 to 40 °C
Weight	1.875 kg
Gross weight	2.000 kg



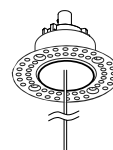
DIMENSIONS



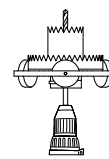
ACCESSORY



TRIM



TRIMLESS



TRIMLESS TOOL

CERTIFICATIONS



TRIM BASE ACCESSORY

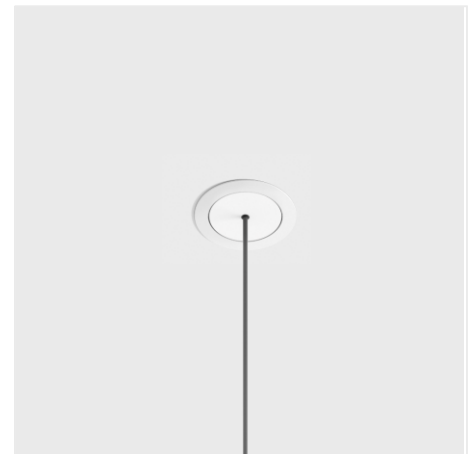
Code	01.A39FRM.P.WH
Color	White
Voltage (V)	220-240V, 50/60Hz
Warranty	5 Years
IP Grade	IP20

ELECTRICAL

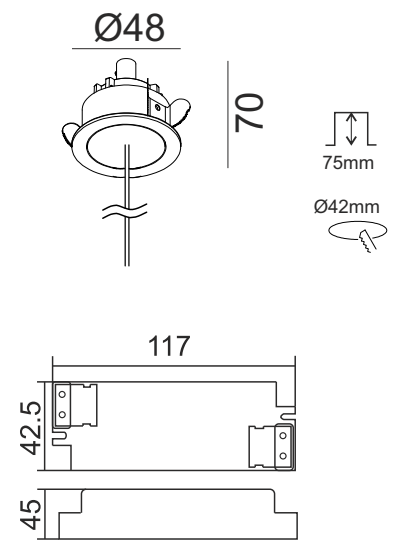
Driver	Included
Power system	18 W
Output Current	700mA
Output Voltage	17V-26V
Dimming	NO DIM
Input Voltage	220-240V
Input Frequency	50-60Hz
Dimension LxWxH(mm)	117x42.5x45
Protection type	IP20
Construction material	Plastic
Driver mounting	Driver must be placed on remote

OTHER DATA

Cutout dimension (mm)	Ø42mm
Recommended height (mm)	75mm
Fixings Hardware	Plastic clip
Mounting	Ceiling recessed trim
Construction material	Aluminium / Polycarbonate
Operating Ambient Temp.	-20 to 40 °C
Weight	0,22 kg
Gross weight	0,268 kg



DIMENSIONS



**DRIVER MUST BE
PLACED ON REMOTE**

CERTIFICATIONS



TRIM BASE ACCESSORY

Code	01.A39FRM.P.BK
Color	Black
Voltage (V)	220-240V, 50/60Hz
Warranty	5 Years
IP Grade	IP20

ELECTRICAL

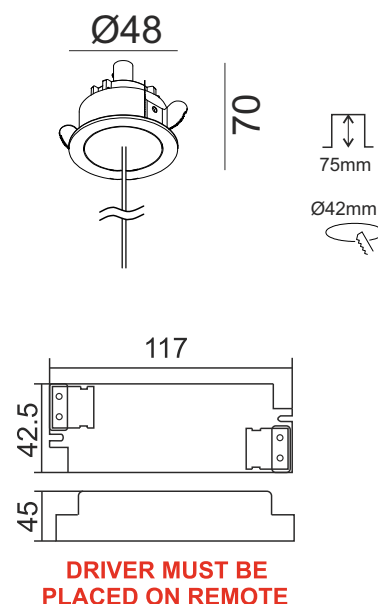
Driver	Included
Power system	18 W
Output Current	700mA
Output Voltage	17V-26V
Dimming	NO DIM
Input Voltage	220-240V
Input Frequency	50-60Hz
Dimension LxWxH(mm)	117x42.5x45
Protection type	IP20
Construction material	Plastic
Driver mounting	Driver must be placed on remote

OTHER DATA

Cutout dimension (mm)	Ø42mm
Recommended height (mm)	75mm
Fixings Hardware	Plastic clip
Mounting	Ceiling recessed trim
Construction material	Aluminium / Polycarbonate
Operating Ambient Temp.	-20 to 40 °C
Weight	0,22 kg
Gross weight	0,268 kg



DIMENSIONS



CERTIFICATIONS



TRIMLESS BASE ACCESSORY

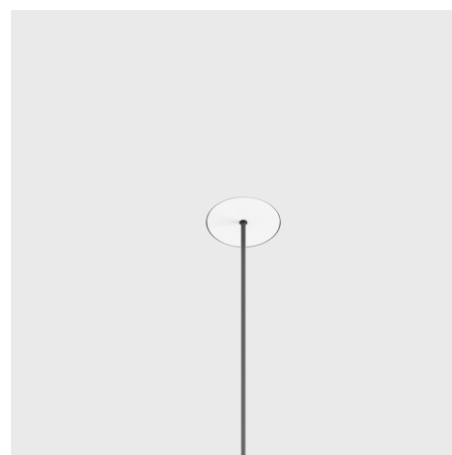
Code	01.A39TRLS.P.WH
Color	White
Voltage (V)	220-240V, 50/60Hz
Warranty	5 Years
IP Grade	IP20

ELECTRICAL

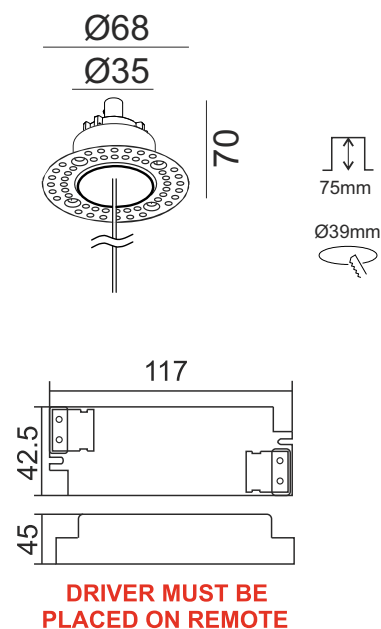
Driver	Included
Power system	18 W
Output Current	700mA
Output Voltage	17V-26V
Dimming	NO DIM
Input Voltage	220-240V
Input Frequency	50-60Hz
Dimension LxWxH(mm)	117x42.5x45
Protection type	IP20
Construction material	Plastic
Driver mounting	Driver must be placed on remote

OTHER DATA

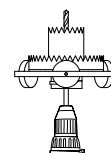
Cutout dimension (mm)	Ø39mm
Recommended height (mm)	75mm
Fixings Hardware	Plastic clip
Mounting	Ceiling recessed trimless
Construction material	Aluminium / Polycarbonate
Operating Ambient Temp.	-20 to 40 °C
Weight	0,2 kg
Gross weight	0,248 kg



DIMENSIONS



ACCESSORY



TRIMLESS TOOL

CERTIFICATIONS



TRIMLESS BASE ACCESSORY

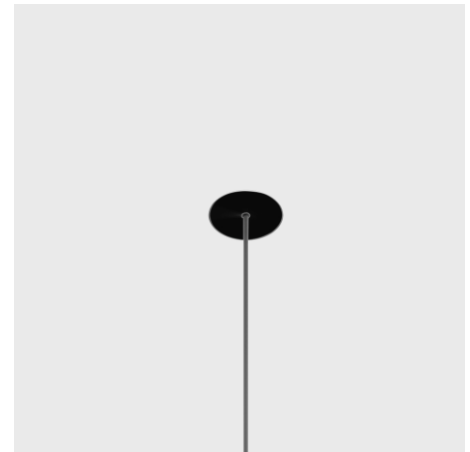
Code	01.A39TRLS.P.BK
Color	Black
Voltage (V)	220-240V, 50/60Hz
Warranty	5 Years
IP Grade	IP20

ELECTRICAL

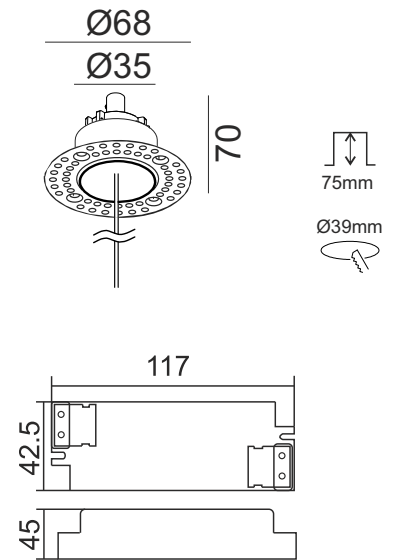
Driver	Included
Power system	18 W
Output Current	700mA
Output Voltage	17V-26V
Dimming	NO DIM
Input Voltage	220-240V
Input Frequency	50-60Hz
Dimension LxWxH(mm)	117x42.5x45
Protection type	IP20
Construction material	Plastic
Driver mounting	Driver must be placed on remote

OTHER DATA

Cutout dimension (mm)	Ø39mm
Recommended height (mm)	75mm
Fixings Hardware	Plastic clip
Mounting	Ceiling recessed trimless
Construction material	Aluminium / Polycarbonate
Operating Ambient Temp.	-20 to 40 °C
Weight	0,2 kg
Gross weight	0,248 kg

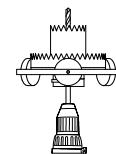


DIMENSIONS



**DRIVER MUST BE
PLACED ON REMOTE**

ACCESSORY



TRIMLESS TOOL

CERTIFICATIONS



TRIMLESS ACCESSORY

Model	NANO TRIMLESS TOOL
Category	Accessories
Code	01.39TOLS.C



DIMENSIONS CUTOUT

