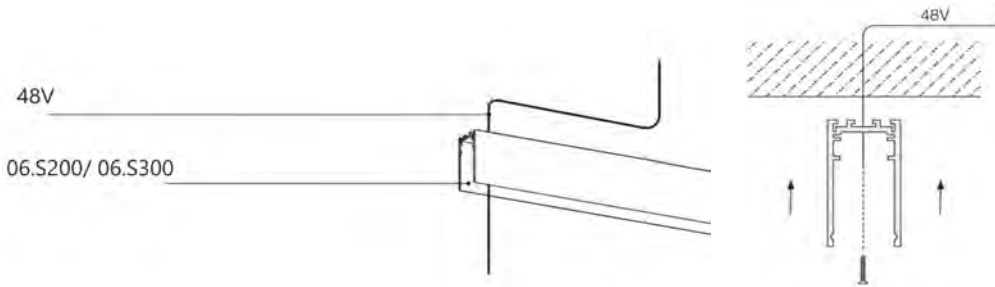
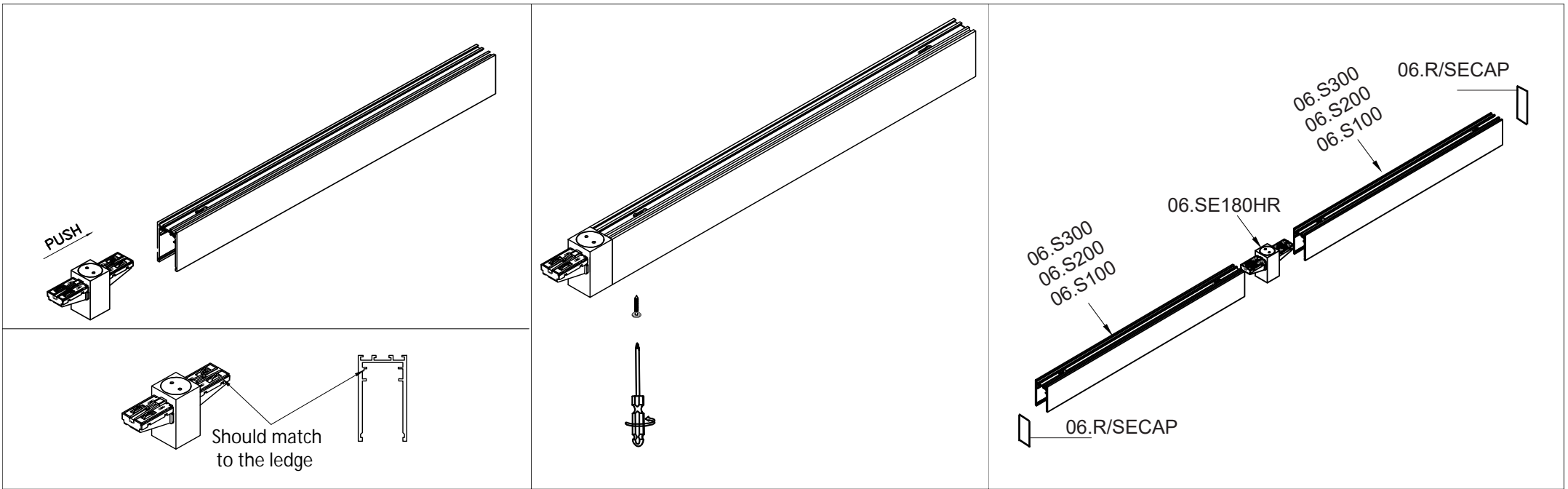
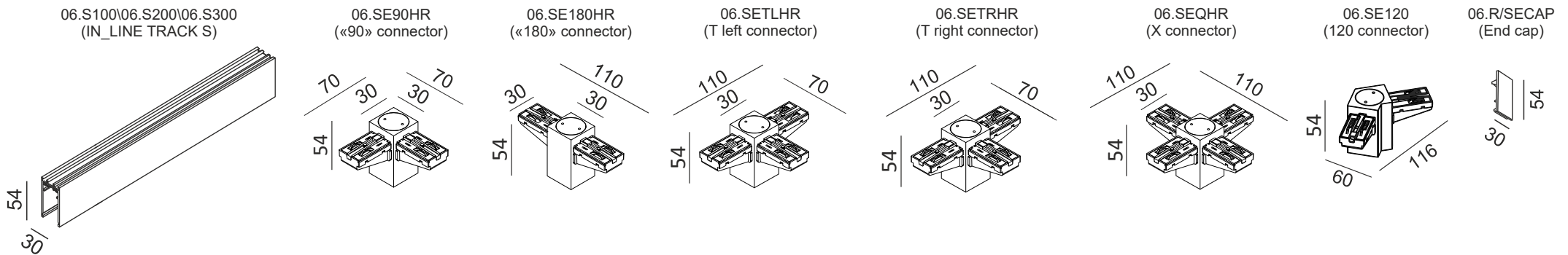


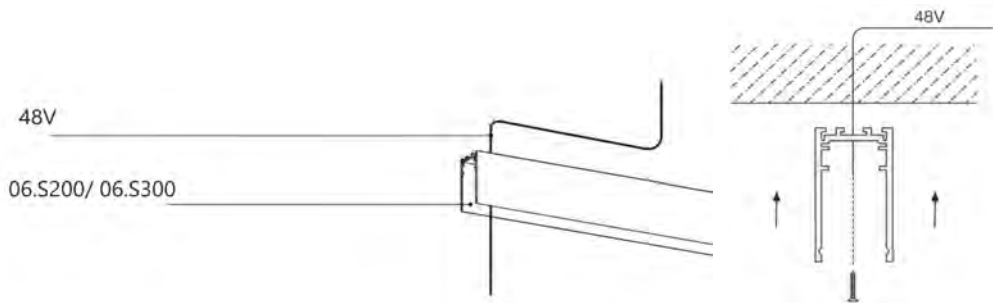
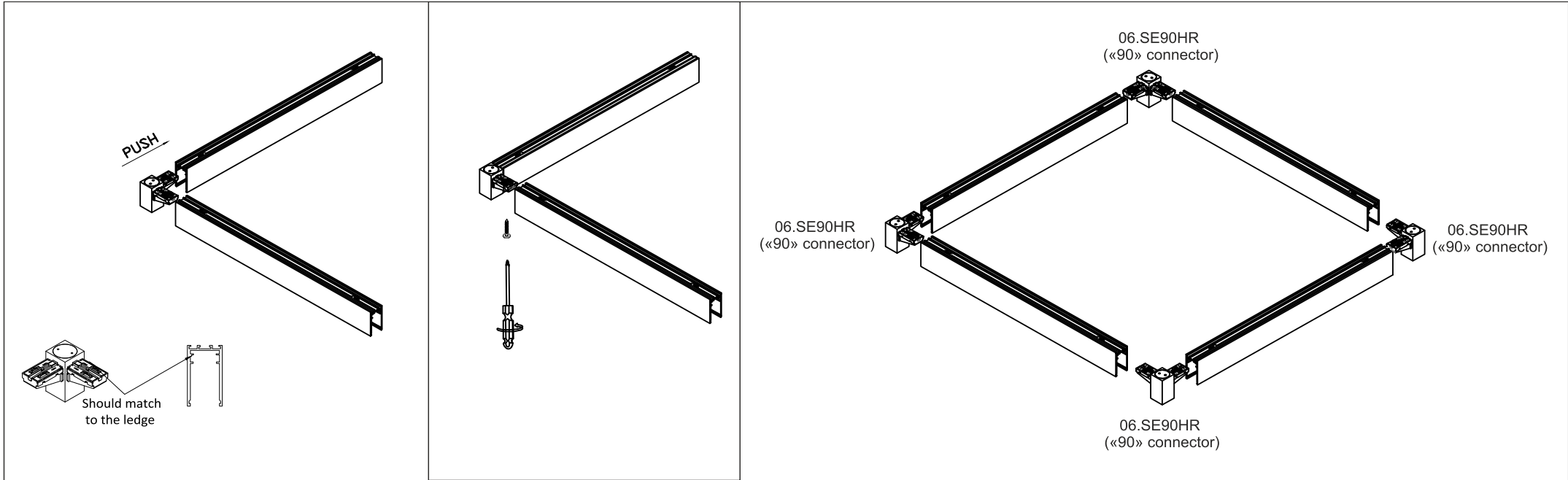
# IN\_LINE CORNER FOR IN\_LINE TRACK S DC 48V



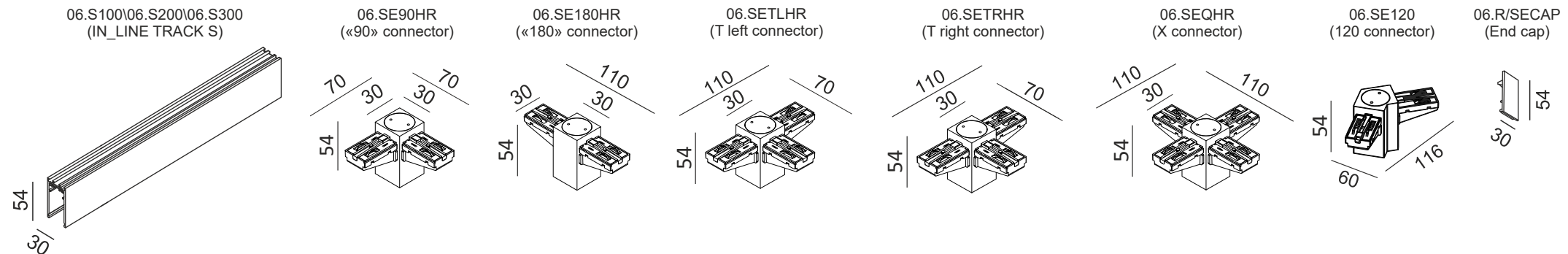
⚠ Every 10 meters of track must be connected to a separate power supply adapter.  
Maximum permissible current for one electrical circuit - 8.5A (400W)



# IN\_LINE CORNER FOR IN\_LINE TRACK S DC 48V

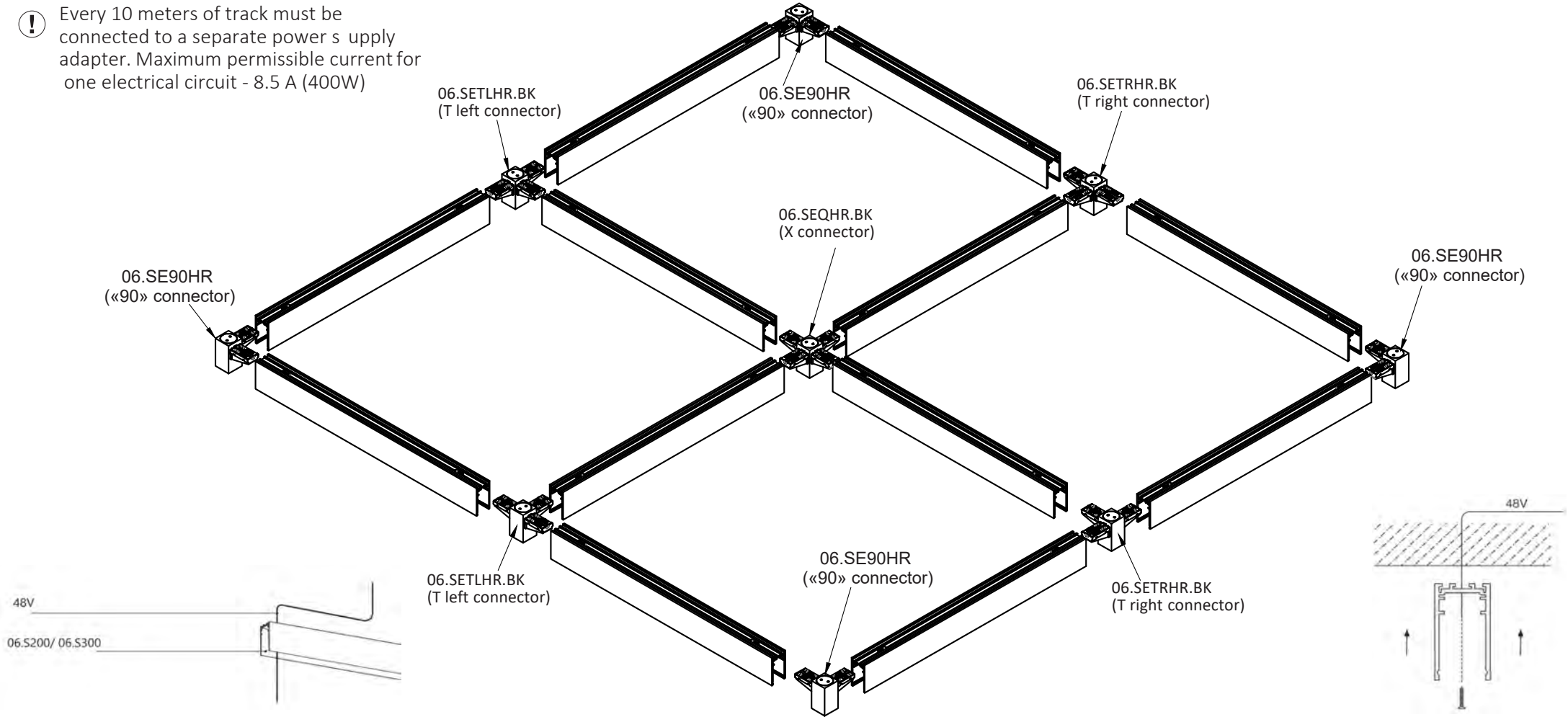


⚠ Every 10 meters of track must be connected to a separate power supply adapter.  
Maximum permissible current for one electrical circuit - 8.5A (400W)



# IN\_LINE CORNER FOR IN\_LINE TRACK S DC 48V

⚠ Every 10 meters of track must be connected to a separate power supply adapter. Maximum permissible current for one electrical circuit - 8.5 A (400W)



06.S100\06.S200\06.S300  
(IN\_LINE TRACK S)

06.SE90HR  
(«90» connector)

06.SE180HR  
(«180» connector)

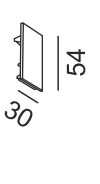
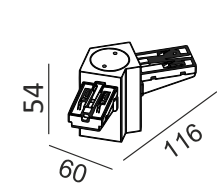
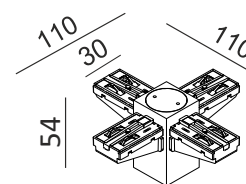
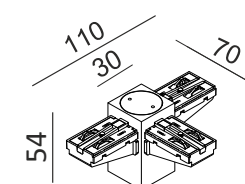
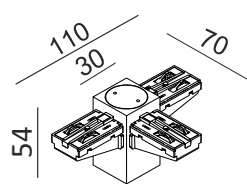
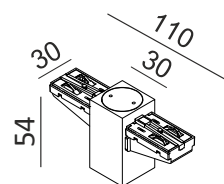
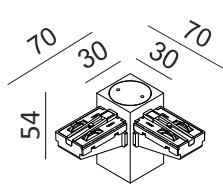
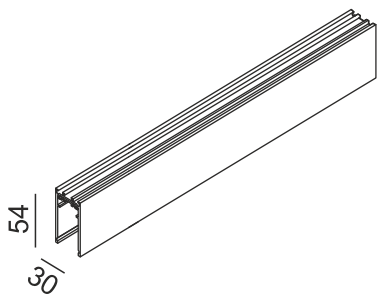
06.SETLHR  
(T left connector)

06.SETRHR  
(T right connector)

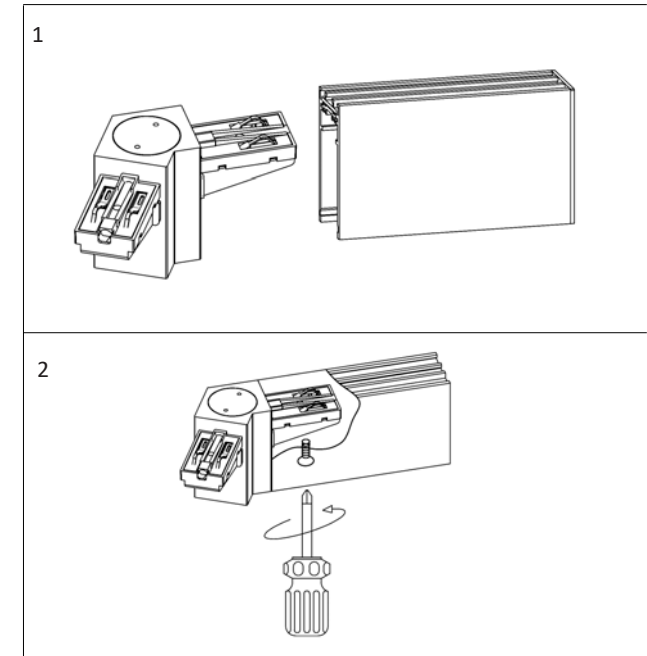
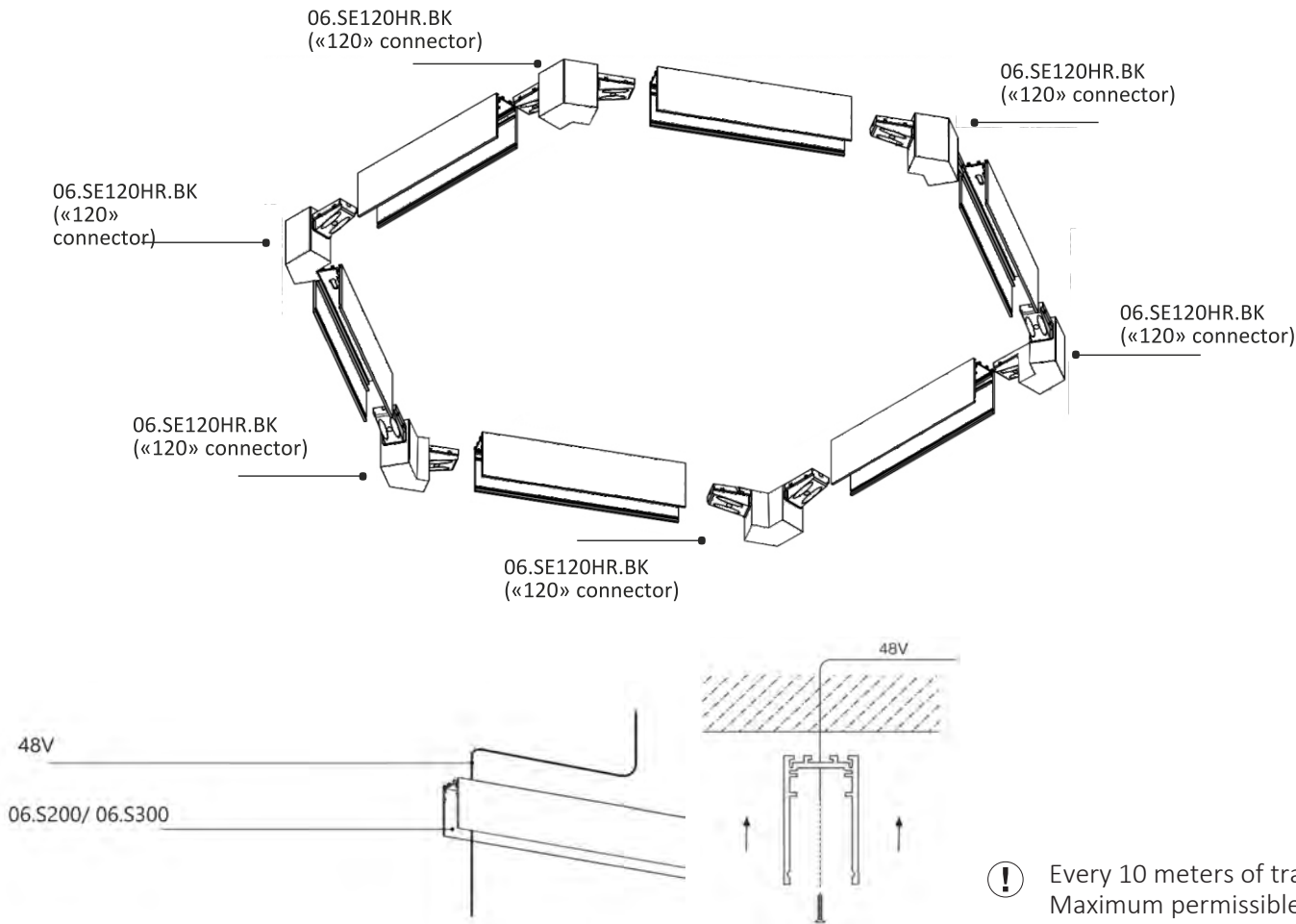
06.SEQHR  
(X connector)

06.SE120  
(120 connector)

06.R/SECAP  
(End cap)



# IN\_LINE CORNER FOR IN\_LINE TRACK S DC 48V



⚠ Every 10 meters of track must be connected to a separate power supply adapter.  
Maximum permissible current for one electrical circuit - 8.5 A (400W)

