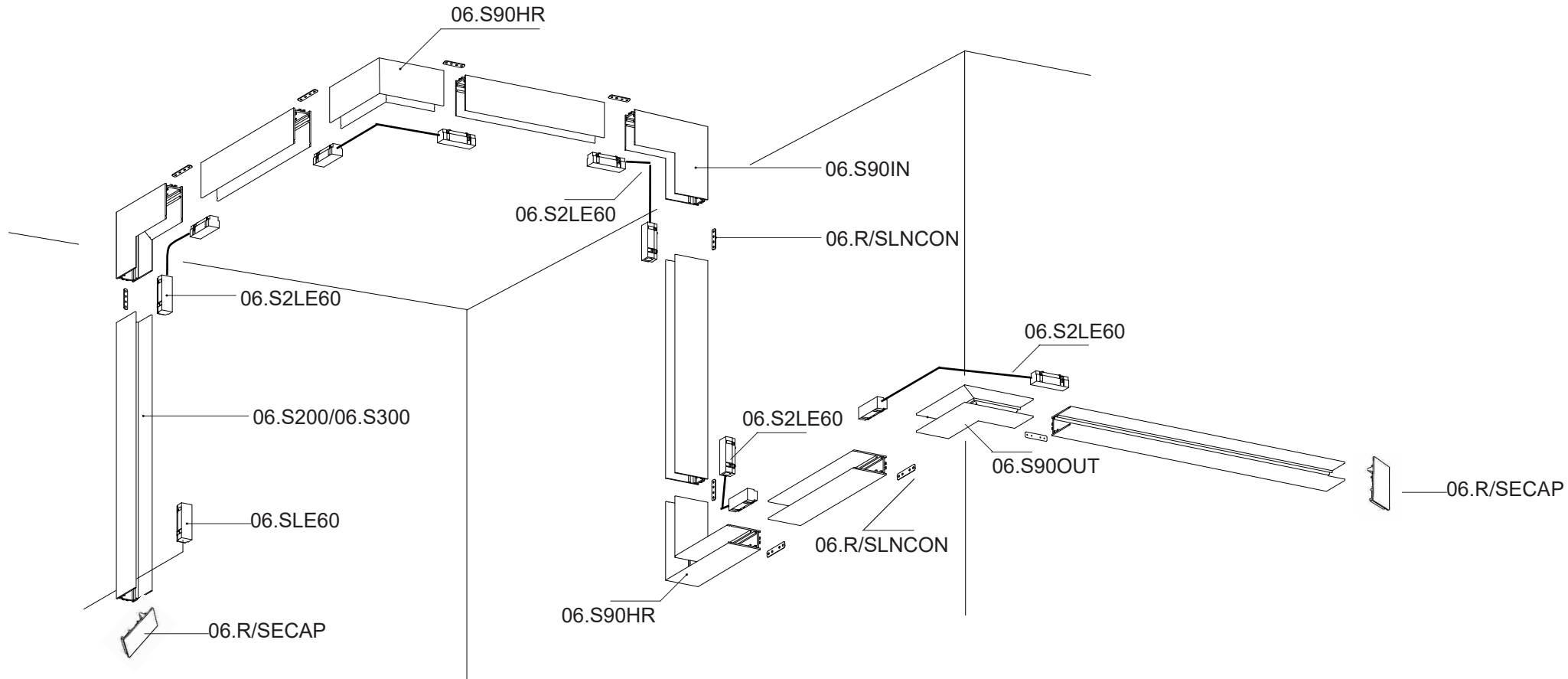


IN_LINE TRACK S DC 48V SYSTEM



⚠ Every 10 meters of track must be connected to a separate power supply adapter.
Maximum permissible current for one electrical circuit - 8.5A (400W)

