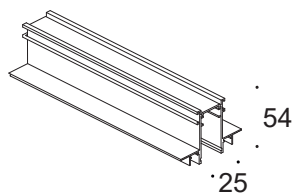
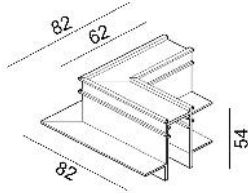


⚠ Every 10 meters of track must be connected to a separate power supply adapter.
Maximum permissible current for one electrical circuit - 8.5A (400W).

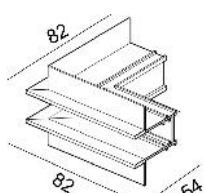
06.R200/06.R300



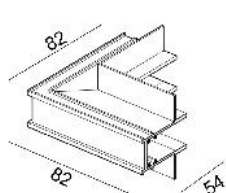
06.R90HR



06.R90OUT



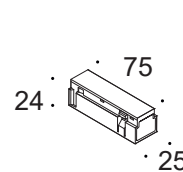
06.R90IN



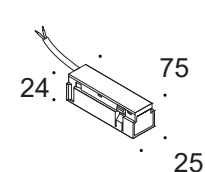
06.R/SECAP



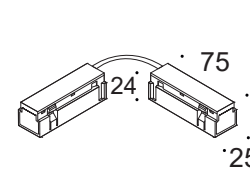
06.SLE00



06.SLE60

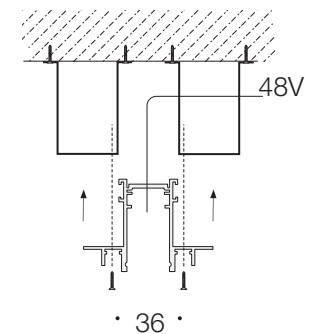
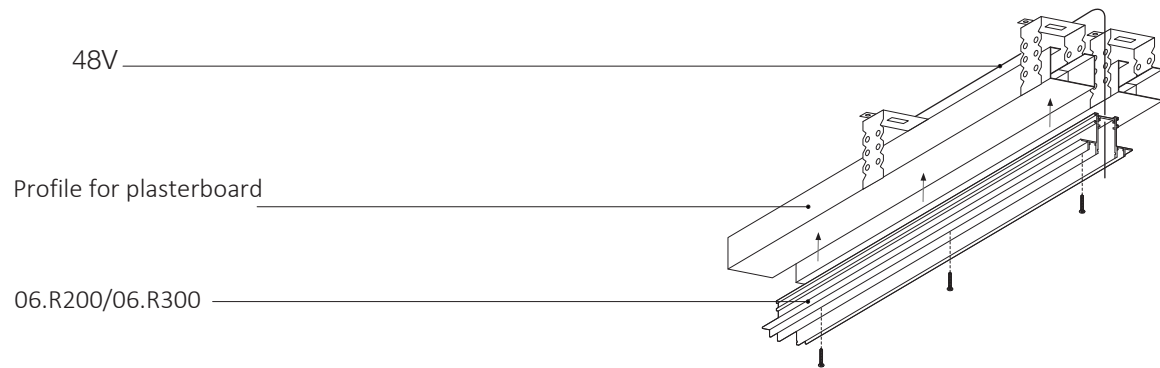


06.S2LE60



06.R/SLNCON





Width of mounting channel

