

SOL IN

Code	01.9533.14.930.BK
Color	Black
Input Wattage	14 W
Luminaire luminous flux	1425 Lm
Luminaire efficacy	101,79 lm/W
CCT	3000K
CRI	>90
Voltage (V)	220-240V, 50/60Hz
Warranty	5 Years
IP Grade	IP20

OPTICAL

Type	CREE LED
Light beam angle	38°
Light distribution	Symmetric

ELECTRICAL

Driver	Included
Power system	16 W
Output Current	350mA
Output Voltage	21V-40V
Dimming	NO DIM
Input Voltage	220-240V
Input Frequency	50-60Hz
Dimension ØxH(mm)	Ø42 x 20
Protection type	IP20
Construction material	Plastic
Driver mounting	Remote
Ta °C	-20°C to 60°C
Tc °C	100°C

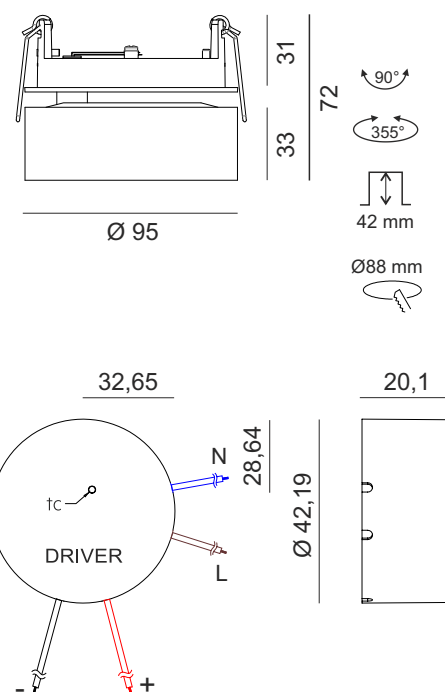
OTHER DATA

Cutout dimension (mm)	Ø88mm
Recommended height (mm)	42mm
Swivel angle	90°
Rotation angle	355°
Fixings Hardware	Metal clip
Mounting	Ceiling recessed trim
Construction material	Aluminium / Polycarbonate
Operating Ambient Temp.	-20 to 40 °C
Weight	0,39 kg
Gross weight	0,448 kg

CERTIFICATIONS



DIMENSIONS



ACCESSORY



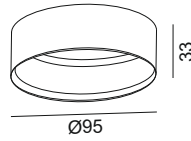
SOL RING



LENS

SOL ACCESSORY

Model SOL
Category Accessories



Code SOL RING WHITE
Color White



Code SOL RING BLACK
Color Black



Code SOL RING BRASS
Color Brass



Code SOL RING COPPER
Color Copper



Code SOL RING CHROME
Color Chrome

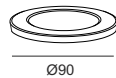


Code SOL RING DIAMOND BLACK
Color Diamond black



SOL ACCESSORY

Model SOL LENS
Category Accessories



Code 06.A09LS12
Light beam angle 12°
Color Transparent

