

NANO S WW

Code	01.3913.6.930.BK
Color	Black
Input Wattage	6 W
Luminaire luminous flux	503 Lm
Luminaire efficacy	84 lm/W
CCT	3000K
CRI	>90
Voltage (V)	220-240V, 50/60Hz
Warranty	5 Years
IP Grade	IP20

OPTICAL

Type	CREE LED
Aiming	Fixed
Light beam angle	25 x 46°
Light distribution	Wall washer

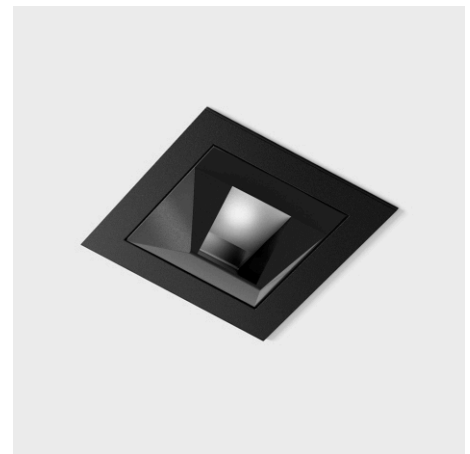
ELECTRICAL

Driver	Included
Power system	7 W
Output Current	500mA
Output Voltage	3V-13V
Dimming	NO DIM
Input Voltage	220-240V
Input Frequency	50-60Hz
Dimension LxWxH(mm)	50x25x30
Protection type	IP20
Construction material	Plastic
Driver mounting	Remote
Ta °C	-20°C to 45°C
Tc °C	90°C

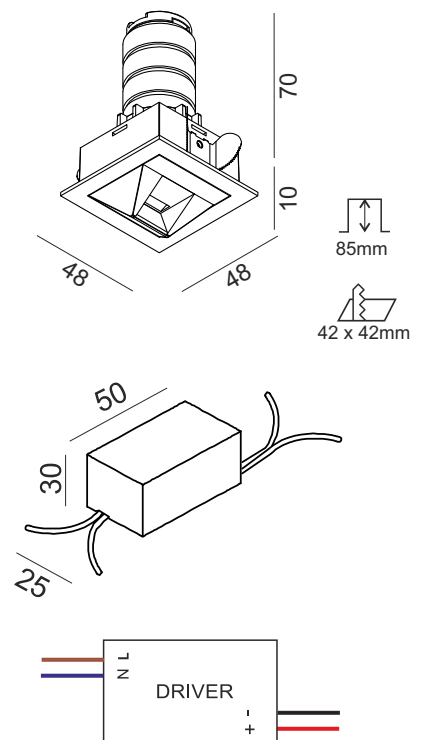
OTHER DATA

Cutout dimension (mm)	42 x 42mm
Recommended height (mm)	85mm
Fixings Hardware	Plastic clip
Mounting	Ceiling recessed trimless
Construction material	Aluminium / Polycarbonate
Operating Ambient Temp.	-20 to 40 °C
Weight	0,14 kg
Gross weight	0,18 kg

CERTIFICATIONS

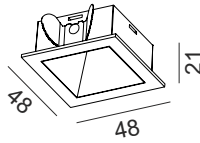


DIMENSIONS

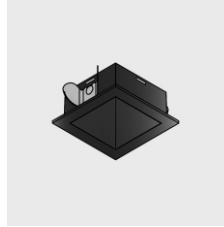


NANO S ACCESSORY

Model FRAME NANO S
Category Accessories



Code 01.A39FRS.BK
Color Black



Code 01.A39FRS.WH
Color White

