

# NANO S TRIMLESS

Code	01.3901.8.930.BK
Color	Black
Input Wattage	8 W
Luminaire luminous flux	640 Lm
Luminaire efficacy	80 lm/W
CCT	3000K
CRI	>90
Voltage (V)	220-240V, 50/60Hz
Warranty	5 Years
IP Grade	IP20

## OPTICAL

Type	CREE LED
Aiming	Fixed
Light beam angle	50°
Light distribution	Symmetric

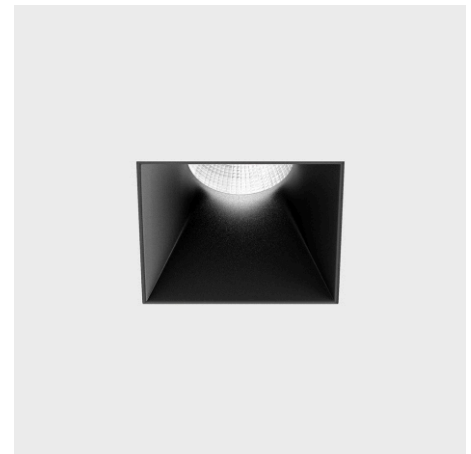
## ELECTRICAL

Driver	Included
Power system	9 W
Output Current	700mA
Output Voltage	3V-13V
Dimming	NO DIM
Input Voltage	220-240V
Input Frequency	50-60Hz
Dimension LxWxH(mm)	50x25x30
Protection type	IP20
Construction material	Plastic
Driver mounting	Remote
Ta °C	-20°C to 45°C
Tc °C	90°C

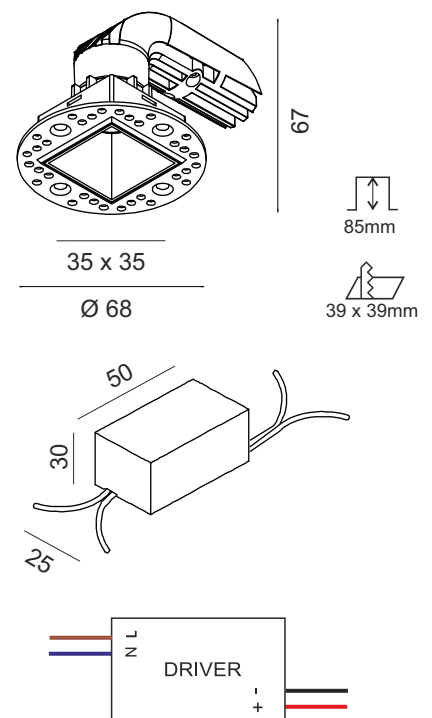
## OTHER DATA

Cutout dimension (mm)	39 x 39 mm
Recommended height (mm)	85mm
Fixings Hardware	Plastic clip
Mounting	Ceiling recessed trimless
Construction material	Aluminium / Polycarbonate
Operating Ambient Temp.	-20 to 40 °C
Weight	0,13 kg
Gross weight	0,18 kg

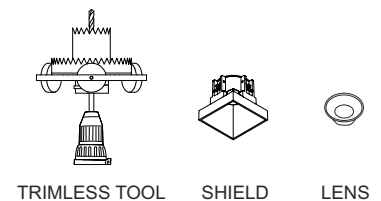
## CERTIFICATIONS



## DIMENSIONS



## ACCESSORY

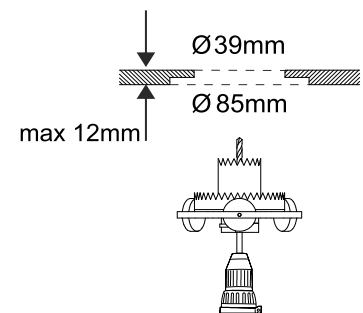


# NANO S ACCESSORY

Model	NANO TRIMLESS TOOL
Category	Accessories
Code	01.39TOLS.C

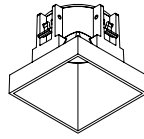


## DIMENSIONS CUTOUT

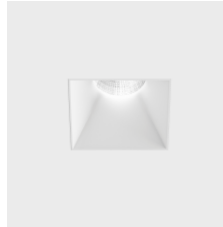


# NANO S ACCESSORY

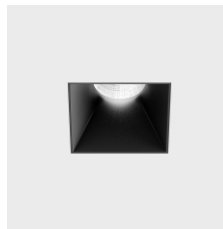
Model SHIELD NANO S  
Category Accessories



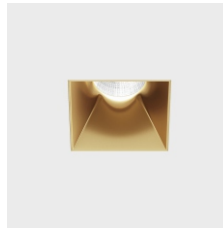
Code 01.A391.WH  
Color White



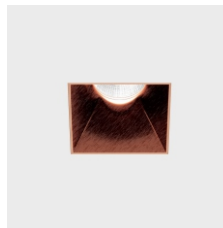
Code 01.A391.BK  
Color Black



Code 01.A391.BR  
Color Brass



Code 01.A391.CP  
Color Copper

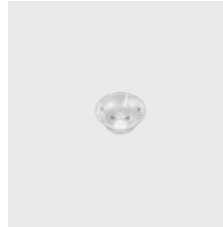


# NANO S ACCESSORY

Model NANO LENS  
Category Accessories



Code 01.A39LS12  
Light beam angle 12°  
Color Transparent



Code 01.A39LS30  
Light beam angle 30°  
Color Transparent

